

# LS5070

**INSTALLATION INSTRUCTIONS**  
UNDERWATER LUMINAIRE  
SURFACE MOUNT

 **LUMASCAPE**  
USA | Australia | Asia | Middle East | Europe



**LS5070**  
Fountain Light

## READ ALL SAFETY INSTRUCTIONS FIRST

- › Follow instructions carefully, failure to do so will void warranty.
- › Ensure installation complies with local law and applicable standards.
- › Input voltage is 30 V DC
- › Only use Lumascope power supply, control equipment and accessories.
- › Ensure mains input power is surge protected.
- › Never make connections whilst the power is connected.
- › Do not make modifications or alter the product.
- › Luminaire must be submerged while in operation.
- › Luminaire is factory sealed; opening will void warranty.

**LUMASCAPE ASIA PACIFIC** Brisbane Technology Park, 18 Brandl Street, Eight Mile Plains, QLD 4113, Australia  
Phone +61 7 3854 5000 | Fax +61 7 3854 5001 | Email: [sales@lumascope.com.au](mailto:sales@lumascope.com.au) | [www.lumacape.com](http://www.lumacape.com)

**LUMASCAPE NORTH AMERICA** 1300 Industrial Road, Unit #19, San Carlos, CA 94070, USA  
Phone +1 650 595 5862 | Fax +1 650 595 5820 | Email: [info@lumascope.com](mailto:info@lumascope.com) | [www.lumacape.com](http://www.lumacape.com)

Products and specifications are subject to change without notice.

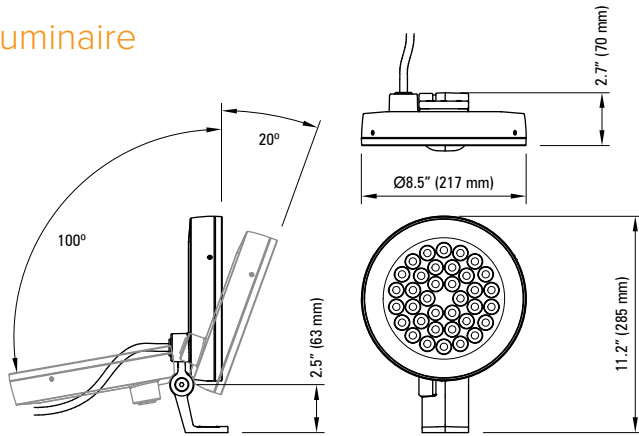
# LS5070

**INSTALLATION INSTRUCTIONS**  
UNDERWATER LUMINAIRE  
SURFACE MOUNT

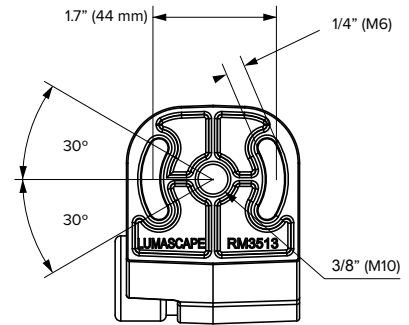
 **LUMASCAPE**  
USA | Australia | Asia | Middle East | Europe

## Overview

### Luminaire



### Mounting Foot



## Luminaire Assembly

**Step 1** Screw the mounting foot to the luminaire body, Please note that the mounting foot can be reversed if required.



**LUMASCAPE ASIA PACIFIC** Brisbane Technology Park, 18 Brandl Street, Eight Mile Plains, QLD 4113, Australia  
Phone +61 7 3854 5000 | Fax +61 7 3854 5001 | Email: [sales@lumacape.com.au](mailto:sales@lumacape.com.au) | [www.lumacape.com](http://www.lumacape.com)

**LUMASCAPE NORTH AMERICA** 1300 Industrial Road, Unit #19, San Carlos, CA 94070, USA  
Phone +1 650 595 5862 | Fax +1 650 595 5820 | Email: [info@lumacape.com](mailto:info@lumacape.com) | [www.lumacape.com](http://www.lumacape.com)

Products and specifications are subject to change without notice.

# LS5070

**INSTALLATION INSTRUCTIONS**  
UNDERWATER LUMINAIRE  
SURFACE MOUNT

 **LUMASCAPE**  
USA | Australia | Asia | Middle East | Europe

## Mount Luminaire

**Step 2** Place the luminaire in the mounting position and mark the anchor points you wish to use.



**Step 3** Drill holes for mounting bracket as marked.



**Step 4** Adjust luminaire rotation and secure luminaire to mounting surface.



**LUMASCAPE ASIA PACIFIC** Brisbane Technology Park, 18 Brandl Street, Eight Mile Plains, QLD 4113, Australia  
Phone +61 7 3854 5000 | Fax +61 7 3854 5001 | Email: [sales@lumascope.com.au](mailto:sales@lumascope.com.au) | [www.lumacape.com](http://www.lumacape.com)

**LUMASCAPE NORTH AMERICA** 1300 Industrial Road, Unit #19, San Carlos, CA 94070, USA  
Phone +1 650 595 5862 | Fax +1 650 595 5820 | Email: [info@lumascope.com](mailto:info@lumascope.com) | [www.lumacape.com](http://www.lumacape.com)

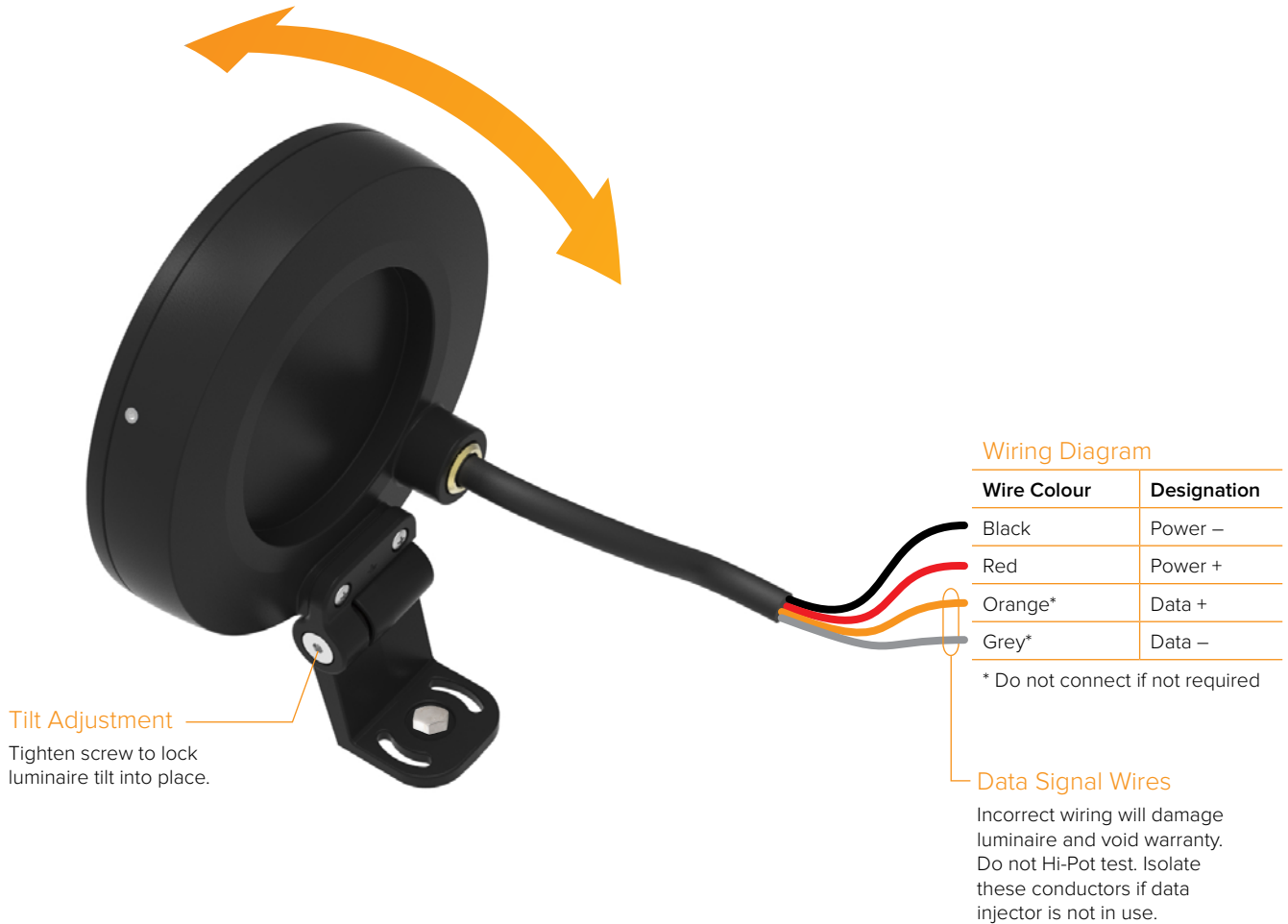
Products and specifications are subject to change without notice.

# LS5070

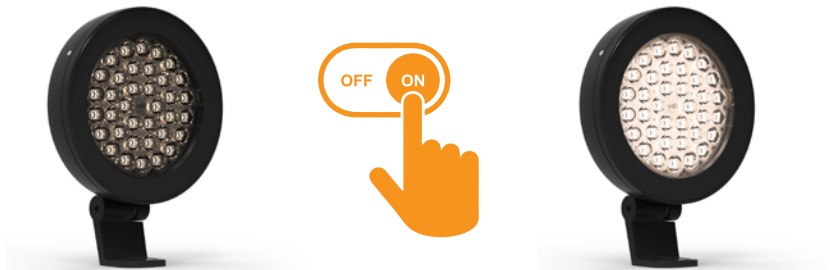
**INSTALLATION INSTRUCTIONS**  
UNDERWATER LUMINAIRE  
SURFACE MOUNT

 **LUMASCAPE**  
USA | Australia | Asia | Middle East | Europe

**Step 5** Adjust luminaire tilt and tighten screw to lock in tilt.  
Connect Luminaire to suitable 30 V DC power supply or low voltage PowerSync™ master.  
Ensure electrical connection is in accordance with local electrical code.



**Step 6** Power up the circuit to test the installation.



**? QUESTIONS** Contact us at details below.

**LUMASCAPE ASIA PACIFIC** Brisbane Technology Park, 18 Brandl Street, Eight Mile Plains, QLD 4113, Australia  
Phone +61 7 3854 5000 | Fax +61 7 3854 5001 | Email: sales@lumacape.com.au | [www.lumacape.com](http://www.lumacape.com)

**LUMASCAPE NORTH AMERICA** 1300 Industrial Road, Unit #19, San Carlos, CA 94070, USA  
Phone +1 650 595 5862 | Fax +1 650 595 5820 | Email: info@lumacape.com | [www.lumacape.com](http://www.lumacape.com)

Products and specifications are subject to change without notice.

IN0179 N180207