

LS9403LED: Vedita Blockout Niche

Warranty void if not installed as per installation instructions

Note: Fixture uses intelligent driver. Always leave on for 20 seconds unless programming.

DANGER

ISOLATE LUMINAIRE FROM POWER

Failure to isolate power supply before installation or maintenance may result in fire, serious injury, electric shock, death and may damage the luminaire.



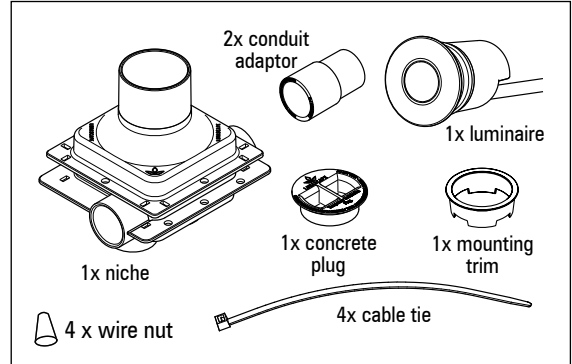
WARNING

It is strongly recommended to use Lumascap power supply or transformer

Use of electronic transformer will permanently damage luminaire

All connections must be kept dry; failure to do so may result in product reliability issues

Opening luminaire will void warranty




1. Use a Lumascap supplied 24 V DC ripple free power supply or Lumascap magnetic transformer, locate centrally in relation to the luminaires and in a well ventilated, fully under cover environment.

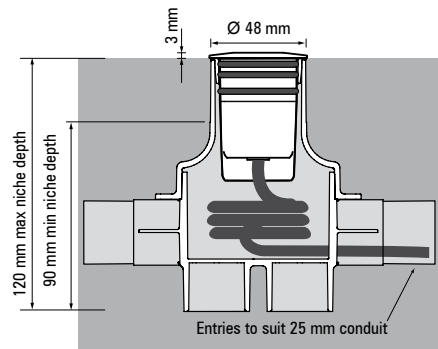
NOTE: DC Power supplies are more efficient than AC transformers. Under no circumstances can an 'electronic' transformer be used, this may damage the product.

It is recommended that for any future maintenance each luminaire location has an individual conduit back to the transformer location. The use of 25 mm conduit is highly recommended, always use large radius bends.

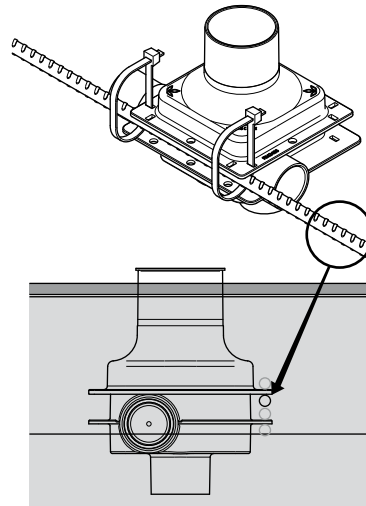
Calculate the distances and use the attached table to calculate sizes and power supply sizes.

NOTE: The orange and grey wires are for optional PWM digital dimming using 0-10 V. Lumascap accessory LS6125 is required.

 If dimming is not required, do not connect the orange and grey wires. In all cases they are to be sealed and kept dry. Failure to do so will result in the T5 smart driver dimming the luminaire due to a voltage differential between the two conductors.

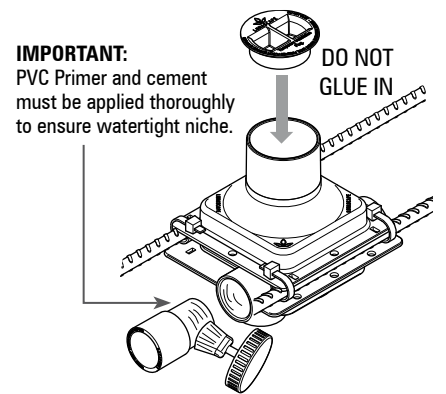


2. Using cable ties supplied, or alternative suitable tie wire, attach niche to re-enforcing steel in locations as required. Check mounting height with finished level. **NOTE:** The niche may be trimmed to small step-in throat. Knock out conduit entries required.

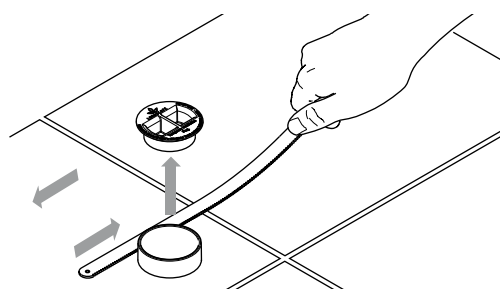


3. Using PVC primer and cement, glue conduit adaptors supplied into required entries for 25 mm conduit. Include a draw wire within conduit. Insert concrete plug fully into niche throat. **DO NOT GLUE IN.**

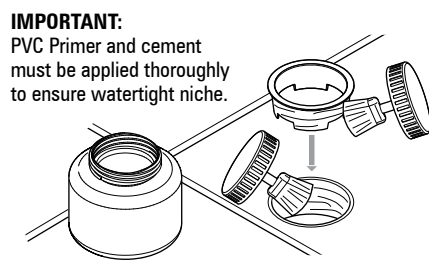
Loop in loop out can be accommodated and the pre-install kit can be used to join wiring. **WARNING:** If the pre-installation kit is used to join wiring it is the installer's responsibility to ensure the conduit network is absolutely watertight. Any cable joins must be sealed to IP68.



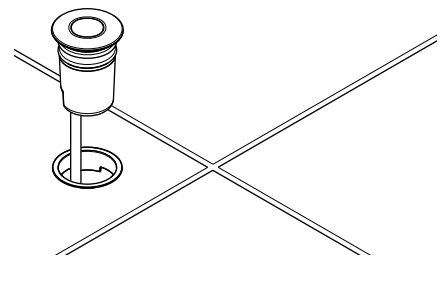
4. Once surface is completely installed, (including tiling, pavers or any other finishing), trim protruding niche throat flush to floor surface. **Remove any burrs from inside niche throat.**



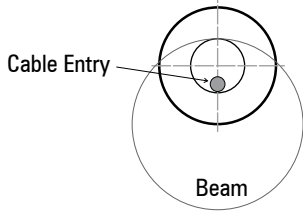
5. Using PVC primer and cement, glue mounting trim into niche throat. Ensure trim sits down onto and level with finished surface. Allow to fully cure as recommended by PVC cement suppliers instructions (typically 24 hours).



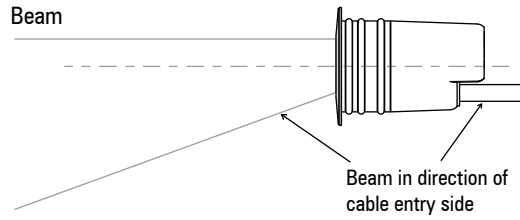
6. Connect to supply, or draw supplied cable back to power supply and test. Any cable joins must be sealed to IP68. Press LS9403LED fully into niche.



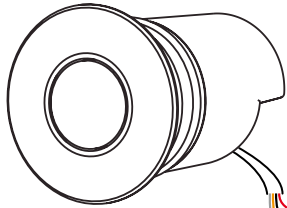
When luminaire (e.g. LS9403LED-xxxxxxxxx **W-xx**) is fitted with a wall wash option, it will direct the beam towards the cable entry side of the luminaire. Align with cable entry side towards target.



Aiming Example: to direct the beam to wards the floor, in a wall mount application. The cable entry should be at the bottom.



Wiring Diagram



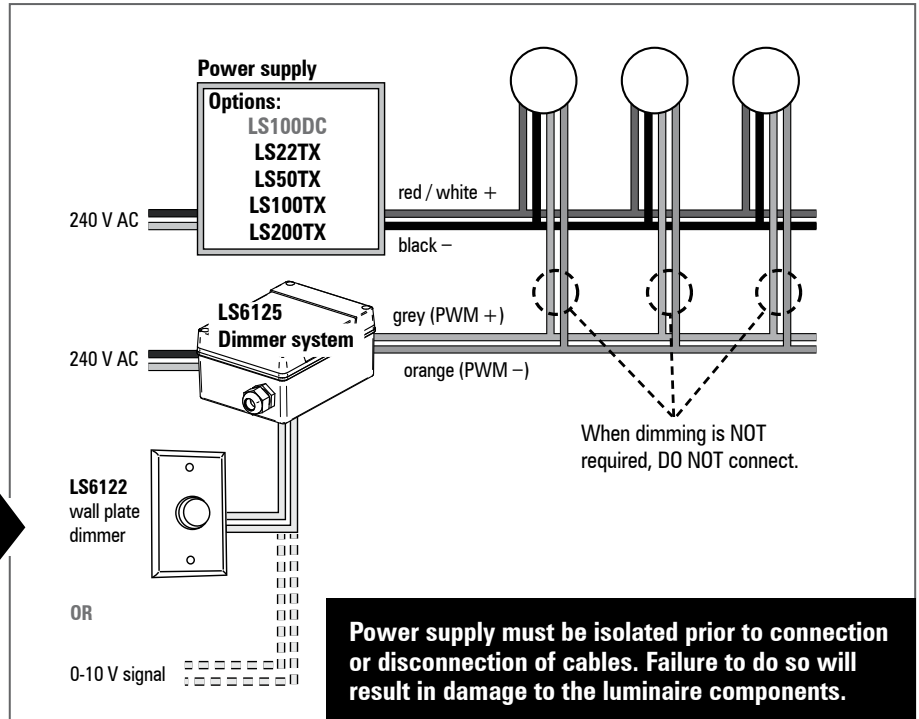
Single Colour Dimming

Wire Colour	Designation	
	AC	DC
Red or White	AC1	+
Black	AC2	-
Orange ⁽¹⁾	PWM +	(optional)
Grey ⁽¹⁾	PWM -	(optional)

⁽¹⁾ Do not connect if dimming is not required

NOTE: If dimming is required use LS6125 PWM to 0-10 V dimming.

IMPORTANT: Please note that the PWM dimming signal polarity is reversed with Lumascope's LS6125 and any third party PWM controllers. See diagram on right for details.



Power supply must be isolated prior to connection or disconnection of cables. Failure to do so will result in damage to the luminaire components.

LS940LED Series

Power Supply/ Transformer & Maximum Cable Runs

Wattage (Part Number)	24 V DC Power Supply			12 V AC Magnetic Transformer								
	100 W (LS100DC)			100 VA (LS100TX)			50 VA (LS50TX)			22 VA (LS22TX)		
	LS604	LS604-6	LS604-10	LS604	LS604-6	LS604-10	LS604	LS604-6	LS604-10	LS604	LS604-6	LS604-10
Lumascope Cable	LS604	LS604-6	LS604-10	LS604	LS604-6	LS604-10	LS604	LS604-6	LS604-10	LS604	LS604-6	LS604-10
Cable size	3.3 mm ²	6 mm ²	10 mm ²	3.3 mm ²	6 mm ²	10 mm ²	3.3 mm ²	6 mm ²	10 mm ²	3.3 mm ²	6 mm ²	10 mm ²
No. of luminaires 100 metre run	26	•	•	6	10	10	4	4	4	2	3	3
No. of luminaires 75 metre run	26	•	•	8	10	12	5	5	8	3	3	4
No. of luminaires 50 metre run	26	•	•	10	12	14	6	8	8	3	4	4
No. of luminaires 25 metre run	26	•	•	14	14	14	8	8	8	4	4	4

• means the maximum number of luminaires can be accommodated on smaller cables.

NOTE: 24 V DC power supplies are far more efficient than AC transformers.

Questions?
Call +61 7 3286 2299
Email sales@lumascope.com.au
www.lumascope.com.au

SAFETY INSTRUCTIONS

WARNING - To reduce the risk of FIRE or INJURY:

1. Luminaires and transformers to be installed by licensed electrical contractors.
2. Luminaires to be used for intended purpose only.
3. Do not operate the luminaires with a missing or damaged parts.
4. Use only genuine Lumascope parts to replace damaged or missing components.
5. Refer to instructions for installation and operating requirements.
6. Ensure installation complies with local regulations

Voltage insulation test (megger) will permanently damage product and will void warranty.

SAVE THESE INSTRUCTIONS.